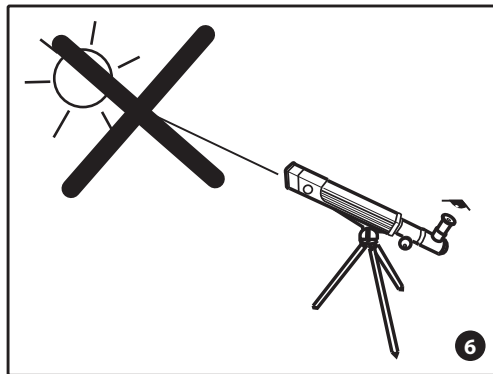
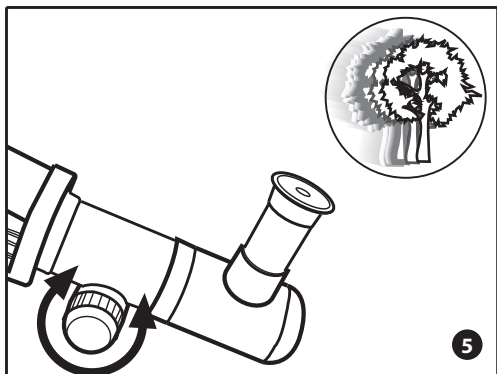
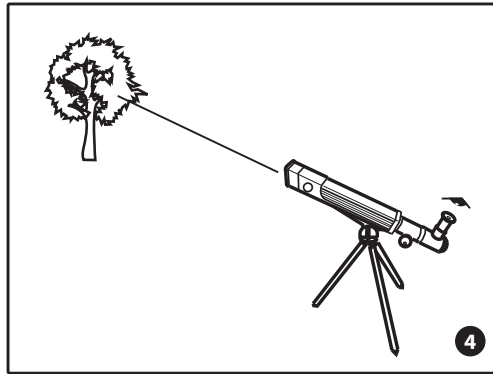
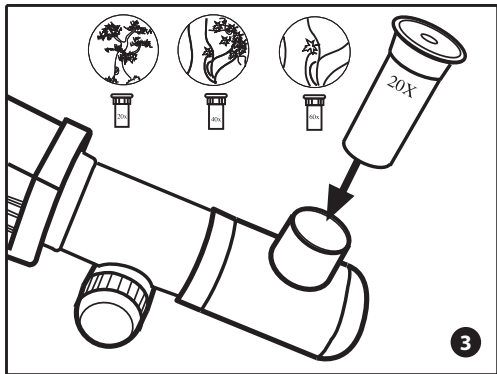
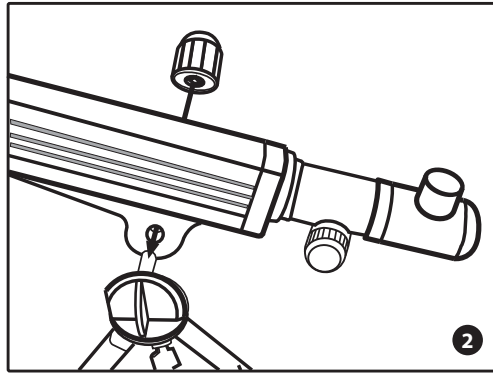
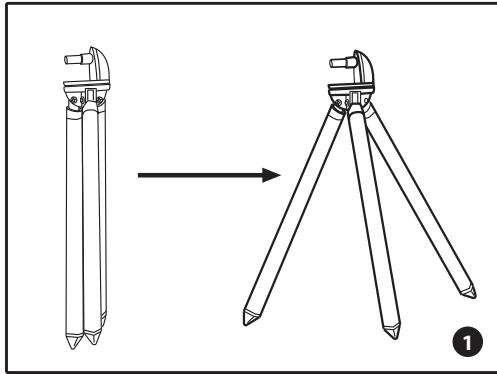


TELESCOPE MANUAL



WARNING! Only for use by children over 8 years old.

CAUTION! Do not look at the sun without a sun-filter, as it may cause serious injury to your eye. (Sun-filter is not included with this telescope set).



1. Spread legs of the tripod fully.
2. Attach the telescope tube to the tripod mount base and tighten the fixing screw knob just slightly.
3. Insert your choice of eyepiece tube (3 different powers) into the end of telescope and remove the eyepiece lens cap.
4. Sight alongside the telescope tube and point it to object within viewing distance.
5. Looking through the eyepiece, turn the focus knob until image becomes clear and sharp.
6. Caution: Do not look at the Sun without a Sun-filter as it may cause serious injury to your eyes. (Sun-filter is not included in this telescope set)